

# Bran Finisher GFK



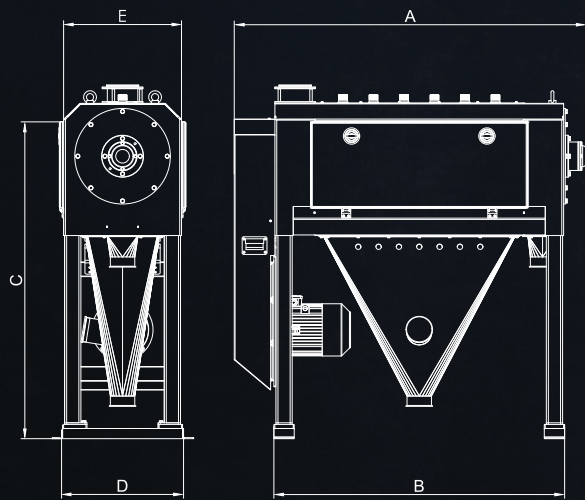
*Excellent Milling Properties...*

## WORKING PRINCIPLES

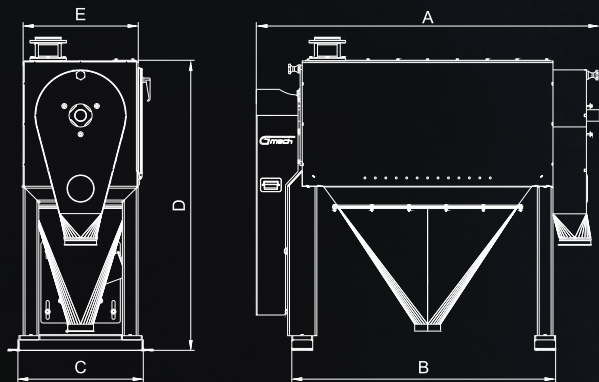
It can be located in the milling section with the purpose of sifting the more sticky flour. Sifting performance of machine can be adjusted even while the machine is in operation.

## FEATURES

- Minimum Maintenance
- Excellent Sanitation
- Compact Design
- Low Power Consumption



Type	Technical Features		Dimensions(mm)						Weight (kg)
	Capacity (t/h)	Power (kW)	A	B	C	D	E	F	
GKF 410	1.8-2.5	7.5	1730	1410	1555	570	625	120	320
GKF 500	2.2-4	7.5	1930	1610	1555	660	670	150	520



Type	Technical Features		Dimensions(mm)						Weight (kg)
	Capacity (t/h)	Power (kW)	A	B	C	D	E	F	
GKF 45/110	0.9-1.5	5.5	1725	1275	1460	550	615	120	400

